

HD 1080P TVI DAY/NIGHT WEATHERPROOF IR
VARI-FOCAL LENS LONG RANGE BULLET
CAMERA

HD TVI

Model #: DSS-BVLT-1080PW

Full HD
1920x1080



Features:

- 1/2.8" SONY EXMOR CMOS
- HD1080P Video Output
- Adopt HDTV Technology
- OSD, 3D DNR, Smart IR, DWDR
- 5-50mm Fixed Lens
- 12 Built in Cold IR LEDs, (300 Ft. Night Vision)
- Vandal Resistant IP66 Weatherproof
- True Day/Night
- 2 Years Warranty

We reserve the right to modify product design and specification without notice and without incurring any obligation

For more information please contact a DSS Sales Representative

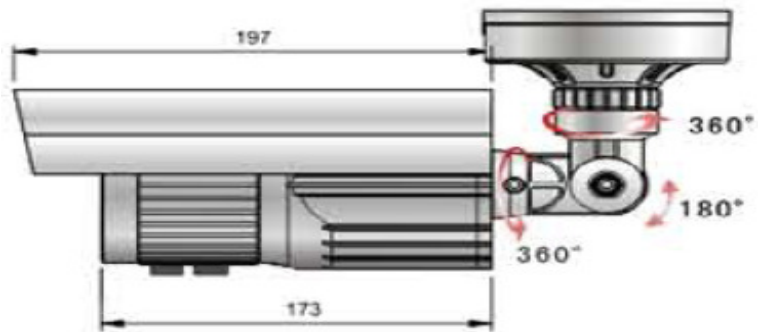
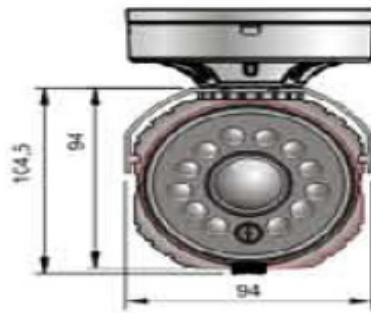
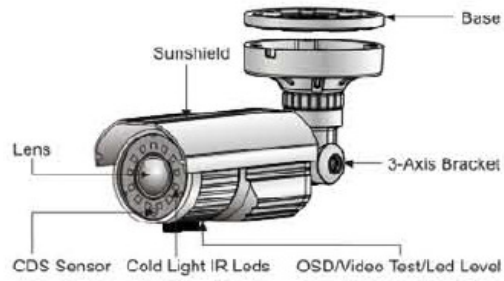
Toll Free: 1.888.467.8812 · Fax: 1.609.431.0932 · Email: sales@dss-cctv.com
www.dss-cctv.com

Technical Specifications

Model No.	DSS-BVLT-1080PW
Camera	
Image sensor	1/2.8" SONY EXMOR CMOS
Min. illumination	0.01 Lux @ (F1.2,AGC ON),0 Lux with IR /0.014 Lux @ (F1.4,AGC ON),0 Lux with IR
Shutter time	1 / 25 s to 1 / 50,000 s
Lens	5-50mm Angle of View: 59.9° - 4.1 °
Lens mount	M14
Day & night	ICR
Digital noise reduction	3D DNR
Wide dynamic range	DWDR
Synchronization	Internal synchronization
HD Video Output	1 Analog HD output
CVBS Output	N/A
S/N Ratio	More than 52dB
Image	
Max. Image Resolution	1920(H)*1080(V)
Signal System	NTSC
Frame rate	1080p@25fps / 1080p@30fps
Image settings	Saturation, brightness, contrast, sharpness adjustable through client software or web browser
BLC	Supported
OSD Menu	
Scene	Indoor, Outdoor, Low Light
Camera ID	On/off
AGC	Support
D/N Mode	Color/BW
White Balance	ATW, AWC-SET, Indoor, Outdoor, Manual
Privacy Mask	On/Off, Maximum 8 Zones
Motion Detection	On/Off, maximum 4 zones
BLC	Support
Anti-Flicker	On/Off
Function	Eclipse, Digital noise reduction, Digital zoom(62x), Slow shutter, Mirror, Defog, Defect pixel correction, SMART D-ZOOM
Language	English, Japanese, CHN1, CHN2, Korean, German, French, Italian, Spanish, Polish, Russian, Portuguese, Dutch, Turkish, Hebrew and Arabic
General	
Operating conditions	(-22°F ~ 140 °F) humidity 90% or less (non-condensing)
Power supply	12 VDC
Power consumption	Max. 14W
Weather proof rating	IP66
IR range	Up to 300ft
Dimension	300.82×100.76×107.55mm(11.84"×3.97"×4.23")
Weight	700 g (3 lb)

We reserve the right to modify product design and specification without notice and without incurring any obligation

For more information please contact a DSS Sales Representative
Toll Free: 1.888.467.8812 · Fax: 1.609.431.0932 · Email: sales@dss-cctv.com
www.dss-cctv.com



We reserve the right to modify product design and specification without notice and without incurring any obligation

For more information please contact a DSS Sales Representative
Toll Free: 1.888.467.8812 · Fax: 1.609.431.0932 · Email: sales@dss-cctv.com
www.dss-cctv.com